

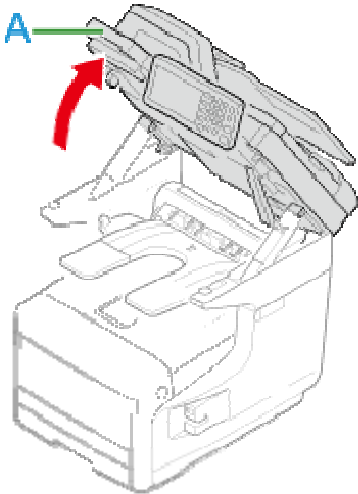
Cleaning the LED Head

Clean the LED head if vertical white lines appear, images are faded, or the periphery of letters are smudged in the printouts.

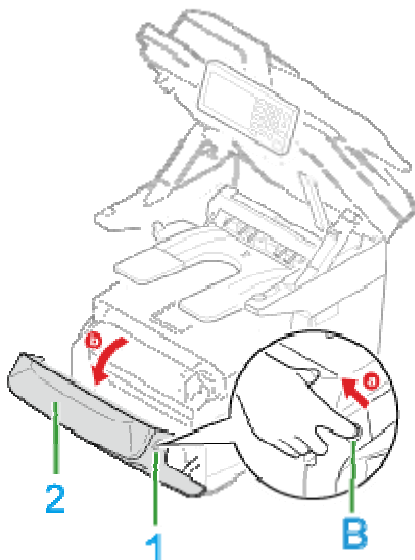
Note

- Do not use solvents, such as methyl alcohol or thinners, because they may damage the LED head.
- Do not expose the image drum to direct sunlight or strong light (approximately 1,500 lux or more). Even under room lighting, do not leave the image drum for 5 minutes or more.

1. Hold the handle (A) to open the scanner unit.



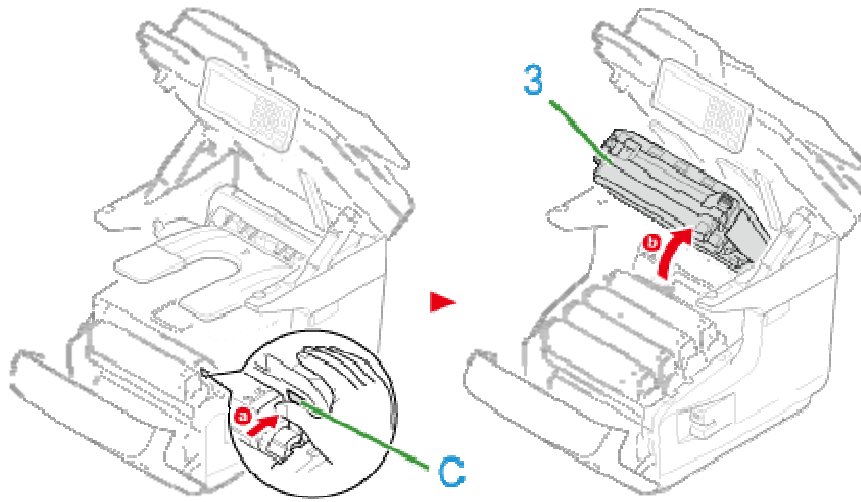
2. Insert your finger into the lever (B) on the right side of the machine and pull the front cover open lever (1) to open the front cover (2) forward.



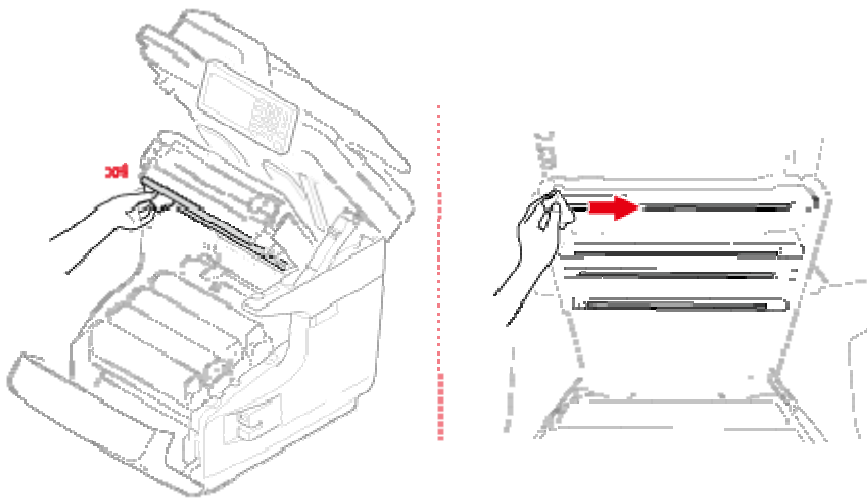
3. Press the button (C) and open the Output Tray (3).

Possible to get burned.

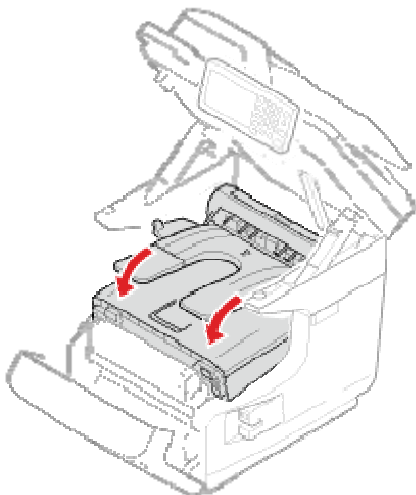
The fuser unit is extremely hot. Do not touch it.



4. Wipe the four lenses of the LED heads with a soft tissue paper lightly.



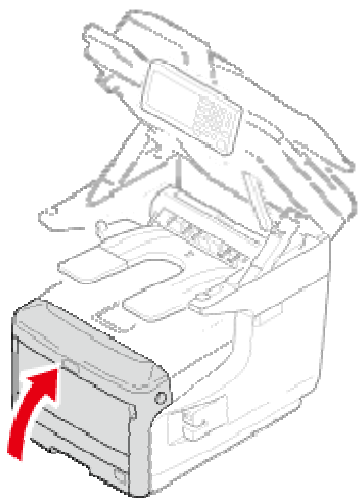
5. Close the Output Tray by pushing the both sides of the Output Tray firmly.



6. Close the front cover.

Note

The front cover cannot be closed if the Output Tray is not closed securely.



7. Hold the handle (A) to close the scanner unit.

